

Non-isolated Buck Offline LED Driver

Description

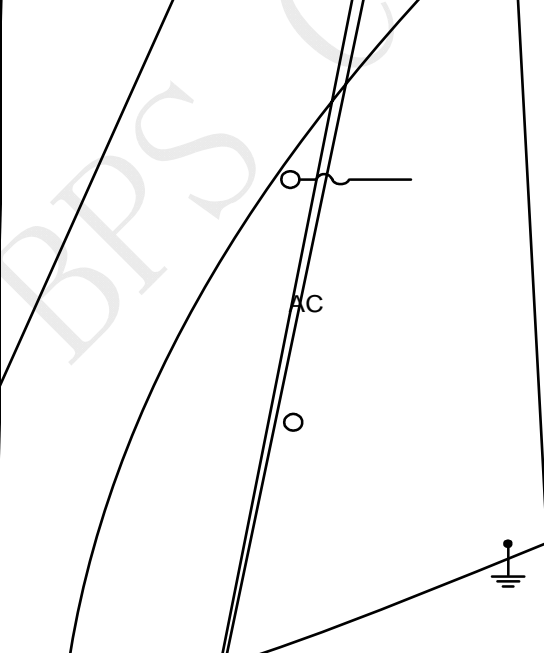
BP2863X is a high precision Buck constant current LED driver. This device operates in critical conduction mode and is suitable for 85V ac, 265V ac universal input voltage LED lighting.

BP2863X integrates a 500V power MOSFET, with MOSFET driving technique. It does not require VCC capacitor and startup resistor. It can achieve excellent constant current performance with very few external components, so the system cost and size are greatly reduced.

BP2863X operates in critical conduction mode, it can achieve precise output current and excellent line regulation. The driver output current does not change with the inductance and output voltage.

BP2863X offers protections to improve the system reliability, including LED short circuit protection, and thermal regulation function.

Typical Application



Features

- Integrated 500V Power MOSFET
- Integrated 100% Superfast Recovery Diode
- No VCC Capacitor and Startup Resistor
- Accurate PWM DFTT Reg IC Power Switch
- No flicker in parallel with several lamps
- ±5% LED Output Current Accuracy
- LED Short Protection
- Thermal Regulation Function
- Available in ASOP7 Package

Applications

- LED Bulb
- LED Tube
- Other LED Lighting

